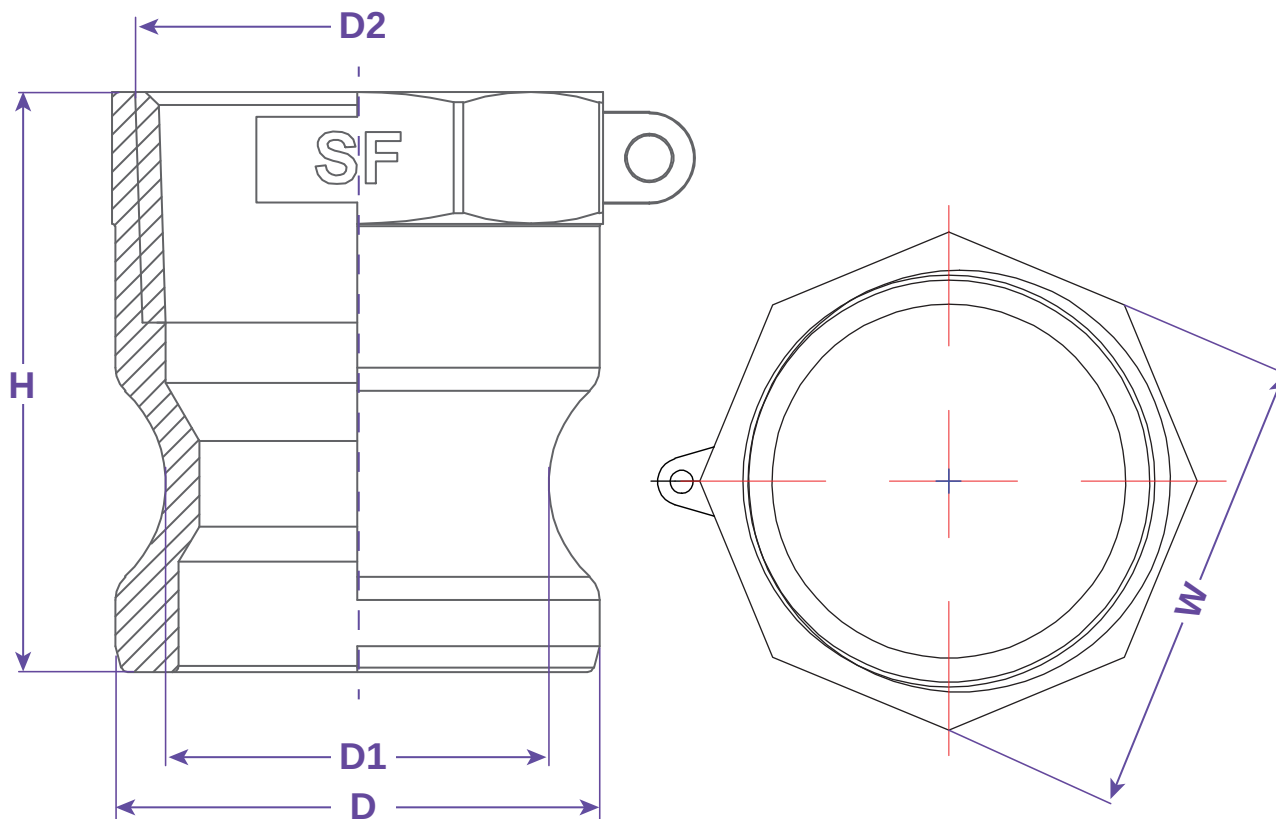




**TYPE A**



**FEATURES & APPLICATIONS:**

• **General Uses:**

A camlock fitting is a type of coupling that is used to connecting hose and or pipes together that transfers liquids, powders and granules. A straight through connection is made that maintains the pipe size and allows the free flow of materials being transferred.

Size	Working PSI	D	D1	D2	H	W	PART #
1"	150	1.445	1.137	1" NPT	1.726	1.459	A100CI
1-1/2"	150	2.102	1.682	1-1/2" NPT	2.216	2.157	A150CI
2"	150	2.484	2.055	2" NPT	2.490	2.706	A200CI
3"	150	3.602	3.188	3" NPT	2.784	3.765	A300CI
4"	150	4.709	4.286	4" NPT	2.961	4.706	A400CI
5"	75	5.728	5.290	5" NPT	2.961	5.882	A500CI
6"	75	6.929	6.337	6" NPT	3.137	6.922	A600CI

**WARNING:** Cam & Groove Couplings should NOT be used with any compressed gas, including steam or air. Metal fittings should NOT be used with Polypropylene Cam & Groove. Dust Caps and Dust Plugs are NOT designed for pressure applications.

Note: All Seal Fast Cam & Groove Stainless Bodies are 316 Investment with 304 Handles.

TITLE <b>TYPE A - FEMALE NPT X MALE ADAPTER</b>	
<p><b>DISCLAIMER</b></p> <p>All drawings and specifications are subject to change without notice. Drawings represent general dimensions of our products. Seal Fast cannot guarantee the dimensions in the drawing will exactly match those in the drawing. This drawing is the property of Seal Fast Inc. Copying or reproduction of this drawing is expressly prohibited.</p>	<p>MATERIAL</p> <p><b>PLATED IRON</b></p>
DRAWING NOT TO SCALE	PART # <b>A...CI</b>

